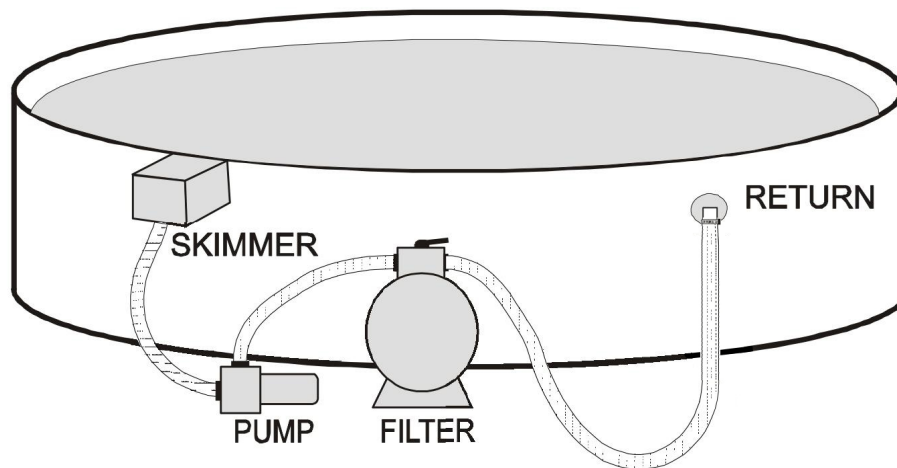


# Above Ground Pool Plumbing Installation Guide



# Table of Contents

- Page 1 ..... Parts and Tools Required
- Page 2 ..... Filling Instructions
- Page 3 ..... Skimmer Installation
- Page 4 ..... Return Installation
- Page 5 ..... Lining Up Your System
- Page 6 ..... Connecting Your System

## Additional Options

- Page 7 ..... Installing a Heater and Chlorinator
- Page 8 ..... Installing a Dark Buster Light
- Page 9 ..... Installing your Ocean Blue Jet Light
- Page 10 ..... Installing a U.V. System

# Parts and Tools Required

## Optional Tools:

- Shop Vacuum
- Utility Knife
- Drill (with multiple bits)
- Slot Screwdriver
- Phillips Screwdriver
- Hammer
- Teflon Tape
- Channel Locks
- Hack Saw
- Duct Tape
- Silicone
- Glue/Primer (IPS Weld On)
- Lubricant
- Awl
- Additional Clamps
- Reducers
- Additional Flex Hose

# Step 1: Filling Instructions

Once the pool has been constructed and the liner has been installed, follow the step-by-step plumbing installation instructions beginning with Step 1: Filling Instructions.

1. Using a shop vacuum, feed the intake hose through the return cut out in the steel wall. The hose should sit comfortably between the pool wall and the liner at a height of 1' off of the pool floor.
2. Use duct or wide style tape to tape off the skimmer cut out as well as the opening remaining around the return cut out/shop vacuum hose.
3. Turn on the vacuum. You should notice the liner stretch back against the pool walls.
4. Begin filling the pool with water - using a garden hose is preferred. If you are using a water truck, ensure the next step is done slowly.
5. Fill the pool to approximately 1' in depth.



**IMPORTANT: if the water level gets too high, the vacuum's hose will not come out from behind the liner and the pool will need to be drained until the hose can be removed.**

6. At this time, you will need to turn off the vacuum and remove the vacuum hose from behind the liner.
7. Continue to fill the pool until you have reached 2-3" below the metal cut-out for the return. You can now begin the plumbing installation.



# Step 2: Skimmer Installation

## Skimmer Installation

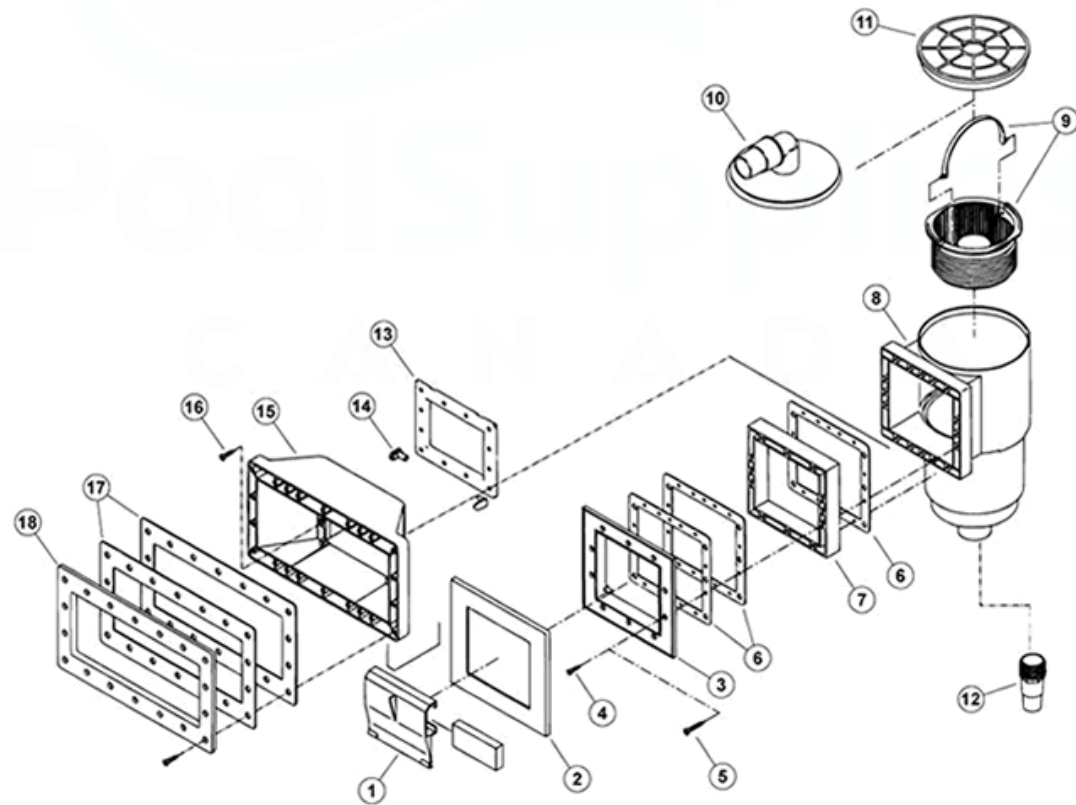
1. Place the face of the skimmer (Basket cover up) against the exterior wall, with the gasket between the panel and the skimmer. Align skimmer face and gasket with drilled panel holes. Align second gasket and faceplate before fastening lightly to skimmer face with the screws provided.

**Note: Some skimmers provide a 2-in-1 gasket.**

2. Fasten screws securely through: 1) the face plate, 2) vinyl liner, 3) gasket, 4) pool wall, 5) gasket, 6) the skimmer housing.
3. Using a utility knife, cut out the vinyl liner along the inside edges of the face plate.



**\*\*The pool wall will be located between the gaskets at # 17 for the 12" skimmer and between # 6 gaskets on the 6" skimmer\*\***

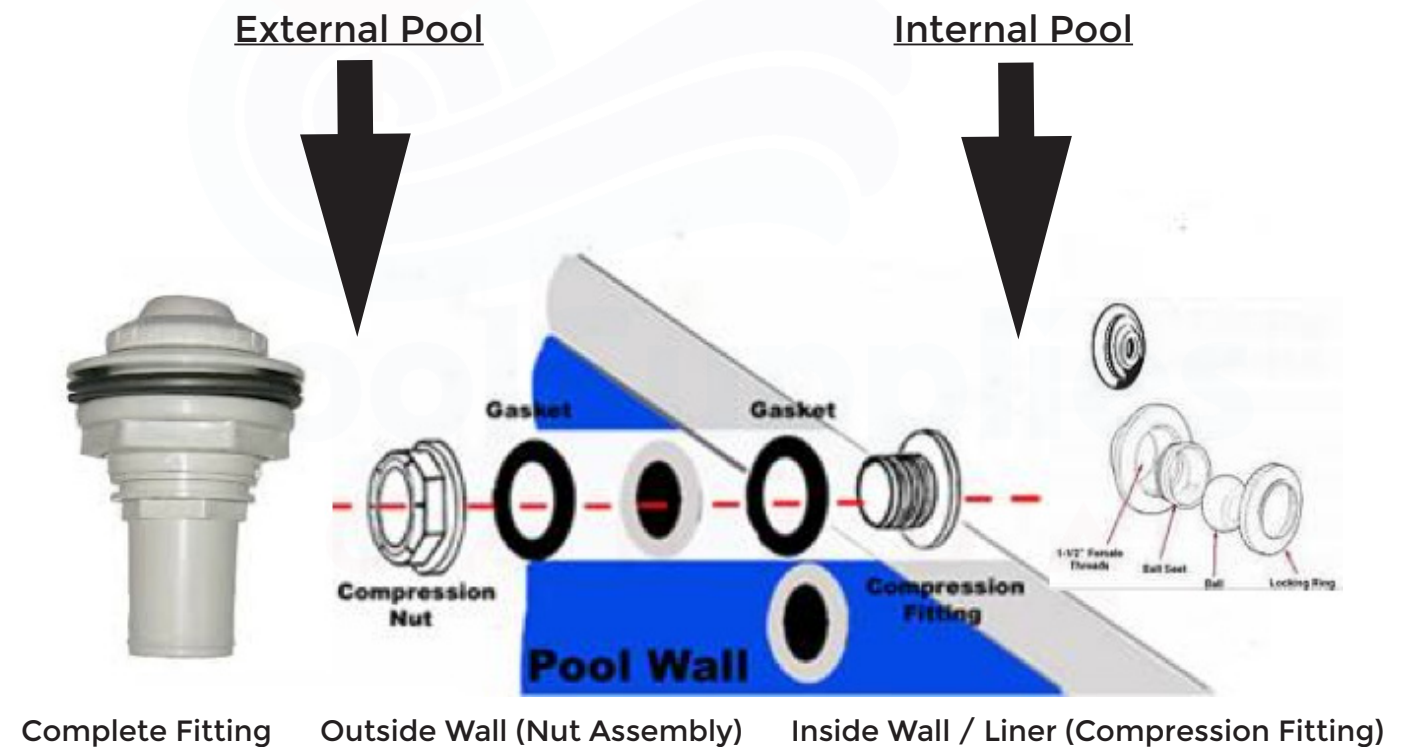


See page 5 for parts list break down

# Step 3: Return Installation

## Return Installation

1. Remove back nut from return assembly (Female)
2. Using the compression fitting of the return (Male), gently press vinyl liner through return cut out from inside of the pool.
3. Use a utility knife to cut an "X" in the circular imprint.
4. Push the male end through the "X" and the return cut out.
5. Remove the remaining vinyl ends with a utility knife by cutting in in a circular motion around return.
6. Add remaining gaskets and screw on compression nut. Hand tighten to firm.



Complete Fitting    Outside Wall (Nut Assembly)    Inside Wall / Liner (Compression Fitting)

# Step 4: Lining Up Your System

## Lining Up Your System

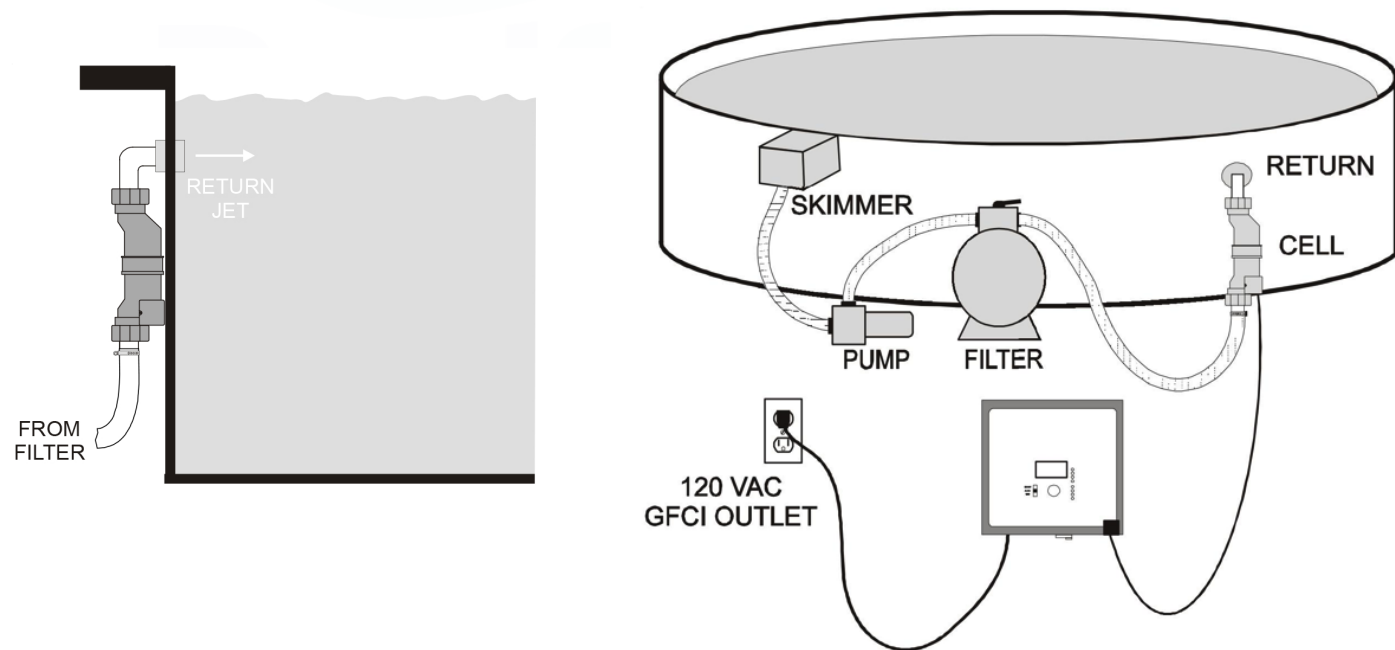
All pool equipment should be set up on a level, solid surface.

1. Remove all plumbing equipment from packaging, keeping all product instructions together.
2. Every basic system must compose of a pump and filter. Please refer to the diagram below for the most basic set up.

### Basic Set up - Directional Flow:

**Skimmer -> Pump -> Filter -> Return**

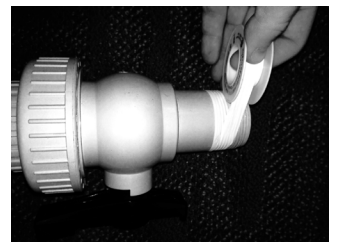
3. If adding a Chlorinator/Salt System/U.V. System, these will generally be located between the outtake of the filter, and intake of the return. Please refer to your product instructional booklets for proper positioning.
4. After reviewing your product instructions for pump, filter, and any additional equipment, you can position your equipment appropriately.
5. You are now ready to connect the equipment.



# Step 5: Connecting Your System

## Connecting Your System

1. In order to complete your plumbing installation, you will have to make several connections to complete your system.
2. Using your Pool Supplies Canada teflon tape, wrap the fitting treads in a clock- wise direction against the threads of the fitting, as seen in the picture beside. Make sure entire threads have been covered twice around with teflon tape.
3. Screw the taped fitting into the receiving end of the product being connected. (skimmer, pump, filter, etc.)
4. Cut the flex hose to appropriate length, ensuring cut is a straight as possible.
5. Connect flex hose to the ridged end of the fitting by carefully wiggling the hose from side to side.
6. Install and tighten stainless steel clamp to firm.



**Please refer to your product information guide if you have any additional connection questions**



# Installing Your Heater / Chlorinator

## Heater Installation

All heaters can vary in size, output, and condition as to how it heats your water flow. You must always consult your products instructions carefully before connecting it to your system. Most common heater types; Gas (natural/propane), electric, solar and heat pumps.

1. Consult your product instructions.
2. Identify proper unit positioning and place unit in accordance. The heater is almost always found directly after the pool filter.
3. If needed: Set up appointment with a licensed professional to hook up the required heater input( ie. Gas or Electrical hook up)
4. Using "Step 5:Connecting Your System" as a guide, make the necessary water flow "in and out" connections while always referring to your individual product instructions.
5. Using the previously learned information in this guide, complete your system.

### General System Connection Set-up:

Skimmer (out) -> Pump (in) -> Pump (out) -> Filter (in) -> Filter (out) -> Heater (in) -> Heater (out) -> Return (in)

## Chlorinator Installation (Salt / Chlorine)

**Note:** All chlorinators can vary in make, model, output and connection type. You must always consult your products instructions carefully before connecting it to your system. The most common chlorinators include Online and Offline Chlorine dispensers and Salt chlorinators.

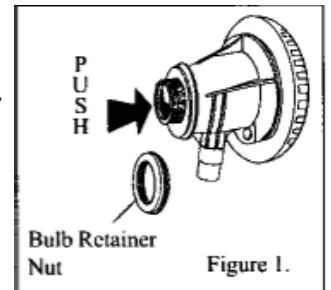
1. Consult your product instructions. Identify proper unit positioning and place unit in accordance. The chlorinator is almost always found directly after the pool filter(or heater if applicable) and before the pool return.
2. If needed: Set up appointment with a licensed professional to hook up the required electrical to the unit.
3. Using "Step 5:Connecting Your System" as a guide, make the necessary water flow "in and out" connections while always referring to your individual product instructions.
4. Using the previously learned information in this guide, complete your system.

### General System Connection Set-up:

Skimmer (out) -> Pump (in) -> Pump (out) -> Filter (in) -> Filter (out) -> Chlorinator (in) -> Chlorinator (out) -> Return (in)

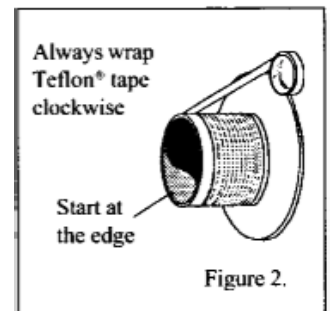
# Installing Your Dark Buster Light

1. Remove the bulb retainer nut and push the bulb assembly out from the rear of the fitting body so that it will come out of the front of the fitting. The flow director will come off along with the bulb assembly; see Figure 1. Push the red cap/plug in the end of the bulb assembly. It will be removed later.
2. Unscrew the threaded wall flange from the fitting body by rotating it Counter-clockwise.

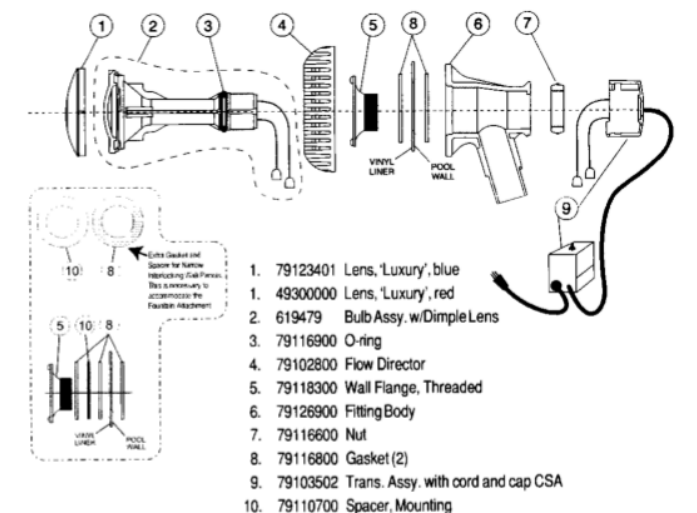
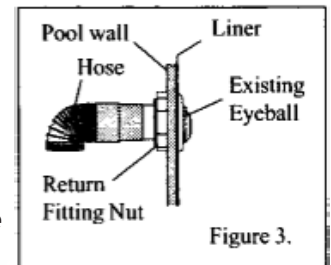


**NOTE: Retain the gaskets supplied and keep them accessible.**

3. Use the thread seal tape provided. Snugly wrap the threaded wall flange in a clockwise direction (as viewed from the back) starting at the edge of the threads; see Figure 2. Work towards the flange lip (overlapping 1/2 of the tape width with each wrap) then back towards the starting point.
4. Take one of the gaskets and put it on the threaded wall flange from the outside of the pool. Standard sheet metal walls will have one gasket and one spacer left over. Do not use these two items, as they are for use on narrow interlocking wall panels only.
5. With the inlet port of the fitting body in the 3 o'clock position, place the fitting body against the threads of the flange and keeping the inlet port in the 3 o'clock position. Hand tighten the flange as tight as possible. Rotate the flange, not the body.
6. To complete the tightening process, hold the flange in place and rotate the fitting body until the inlet port is in the 6 o'clock position; see Figure 6.

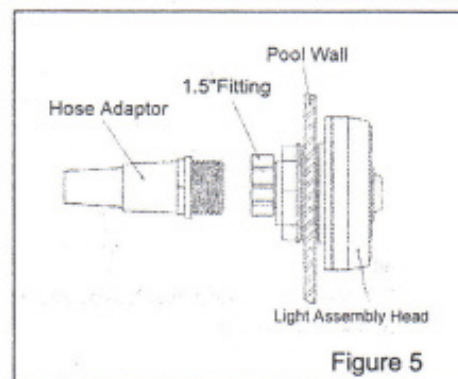
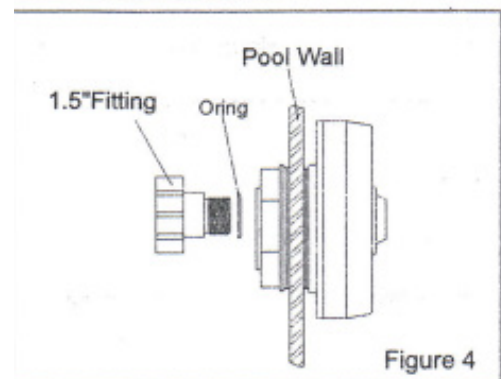
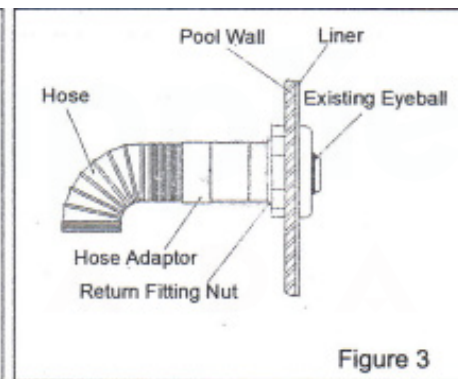
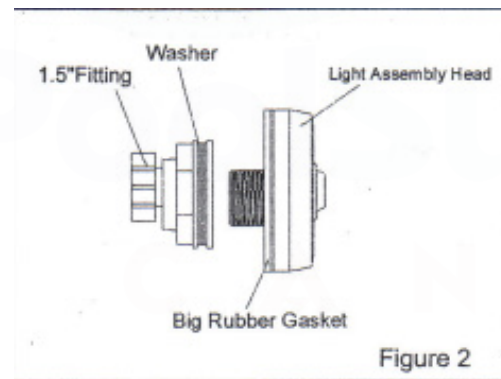


7. Take a hose clamp and place it over the return hose cuff.
8. Slip the return hose from the equipment, over the inlet port, and tighten the hose clamp securely.
9. Take the bulb assembly and insert it through the flow director. The keyway must point in the same direction as the top key on the fitting body.
10. Now, from inside the pool, push the bulb assembly and flow director with the red cap /plug in place into the fitting body until the bulb assembly /flow director are nearly flush against the inside pool wall.
11. Thread the bulb assembly nut until it just touches the fitting body, then finger tighten.
12. Take the red cap /plug off and gently bring the wire connectors through the back side of the bulb assembly. Save the red cap / plug for storage and winterizing.
13. Connect the wire connectors from the bulb assembly to the wire connectors attached to the snap-on cord cap. Snap the cap onto the end of the of the body and turn so the cord is pointing down. Use switch on transformer to turn on and off.



# Installing Your Ocean Blue Jet Light

1. Drain water to below the return fitting (If installing in a new pool, fill until 2 - 3' below return cut out).
2. Dismantle light assembly head from return washer and housing. Install return washer and fittings by following Step 3: Installing your return fitting. Once completed, screw light assembly head into the return fitting from inside the pool. See Figure 4.
3. Connect 1.5" fitting to the light assembly head in the the threaded wall flange. Make sure an O-Ring is installed and screw it tight enough to prevent any leaking. See Figure 4.
4. Install 1.5" screw in nipple to the 1.5" light fitting.
5. Connect the hose to the hose adaptor using a stainless steel clamp.
6. Connect quick wire connection to transformer receiver.
7. Mount transformer on a vertical wall.
8. Plug the power cord's 3-prong plug into an appropriate 110V GFCI protected receptacle at least 10 feet from the pool.
9. If the light is not on, press switch on the transformer case.



# Installing a U.V. System

## UV Purification System

Note: You must always consult your products instructions carefully before connecting it to your system.

1. Consult your product instructions.
2. Identify proper unit positioning and place unit in accordance. The InnovaClear UV system is almost always found directly after the pool filter.
3. If needed: Set up an appointment with a licensed professional to hook up any necessary electrical connections.
4. Using "Step 5: Connecting Your System" as a guide, make the necessary water flow "in and out" connections while always referring to your individual product instructions.
5. Using the previously learned information in this guide, complete your system.

## General System Connection Set-up

Skimmer (out) -> Pump (in) -> Pump (out) -> Filter (in) -> Filter (out) -> UV Unit (in) -> UV Unit (out) -> Return (in)

